



MICRO SWITCH

FREEPORT, ILLINOIS, U.S.A.
A DIVISION OF HONEYWELL

FED. MFG. CODE 91929

SWITCH - BASIC

CATALOG LISTING

V3-115

CKB 1500

5

V3-115

M

DRAWING NUMBER

ISSUE

89

89

REPLACES

RELEASE NO.

CHECK

65

65

65

65

65

65

65

65

65

65

65

65

65

65

65

65

65

65

65

65

65

65

65

65

65

65

65

65

65

65

65

65

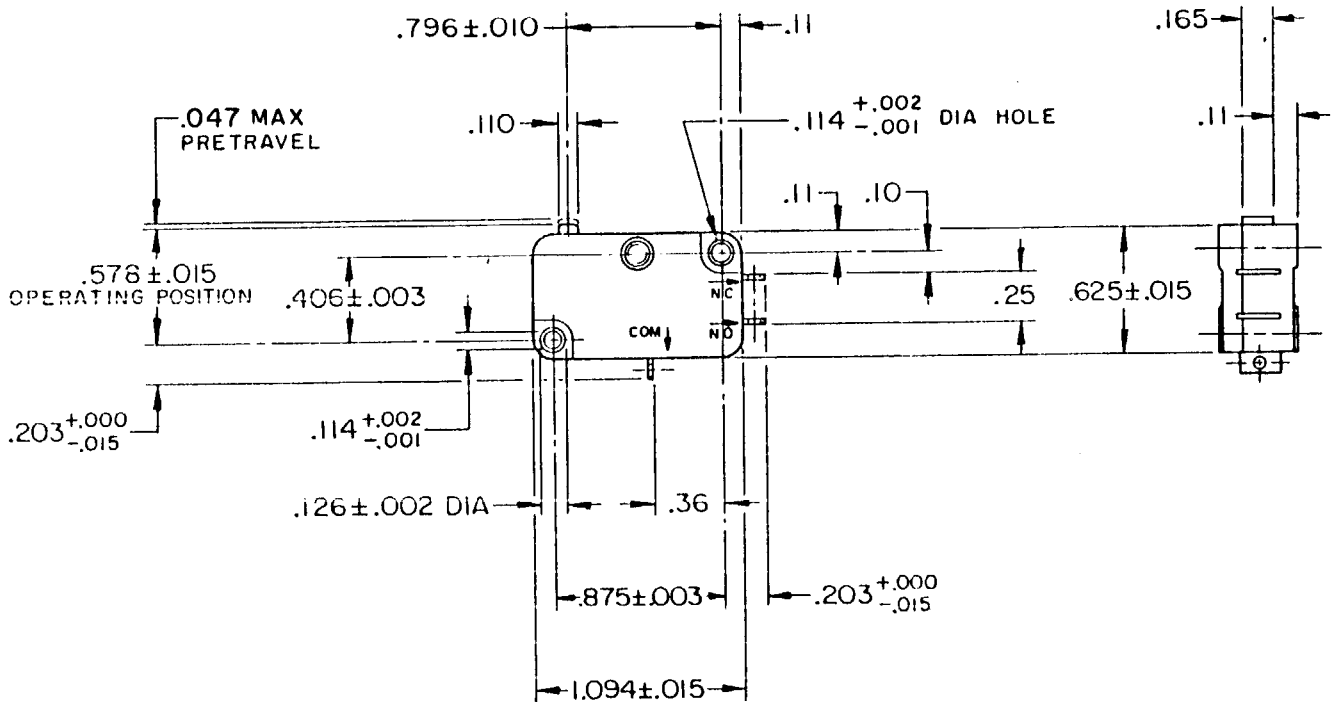
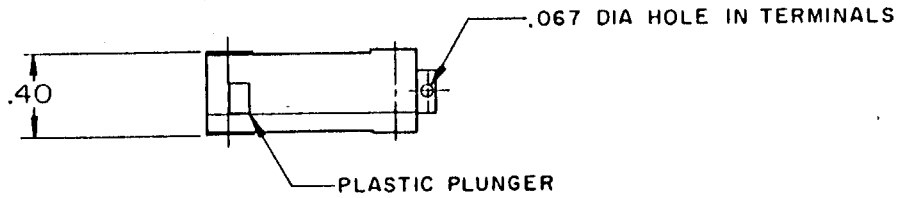
65

65

65

65

65



NOTE -
1 - TERMINALS ARE PLATED FOR SOLDERING

THIS DRAWING COVERS A PROPRIETARY ITEM AND IS THE PROPERTY OF MICRO SWITCH, A DIVISION OF HONEYWELL. THIS DRAWING IS NOT TO BE COPIED OR USED WITHOUT THE APPROVAL OF MICRO SWITCH.

CHARACTERISTICS

OPERATING FORCE ----- 8 OZ MAX
RELEASE FORCE ----- 2 OZ MIN
DIFFERENTIAL TRAVEL ----- .006 - .016
OVERTRAVEL ----- .040 MIN
FREE POSITION ----- .625 MAX
RELEASE TRAVEL ----- .007 MIN

ELECTRICAL DATA

CONTACT ARRANGEMENT
SPDT
- L156 - 11A-1/3HP-125-250-277 VAC
1/2A-125 VDC; 1/4A-250 VDC
4A-125 VAC "L"



SCALE FULL

DO NOT SCALE PRINT
UNLESS OTHERWISE NOTED
DIMENSIONS ARE IN INCHES
TOLERANCES ARE:
ONE PLACE (.0) ± .030
TWO PLACE (.00) ± .015
THREE PLACE (.000) ± .005
ANGLES ±

WEIGHT .016 LB

DRAWN

WEG 28 JUNE 65

50378